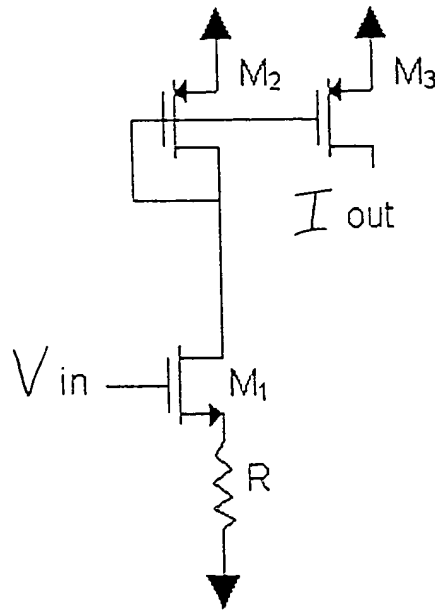


100



(CONVENTIONAL ART) FIG 1

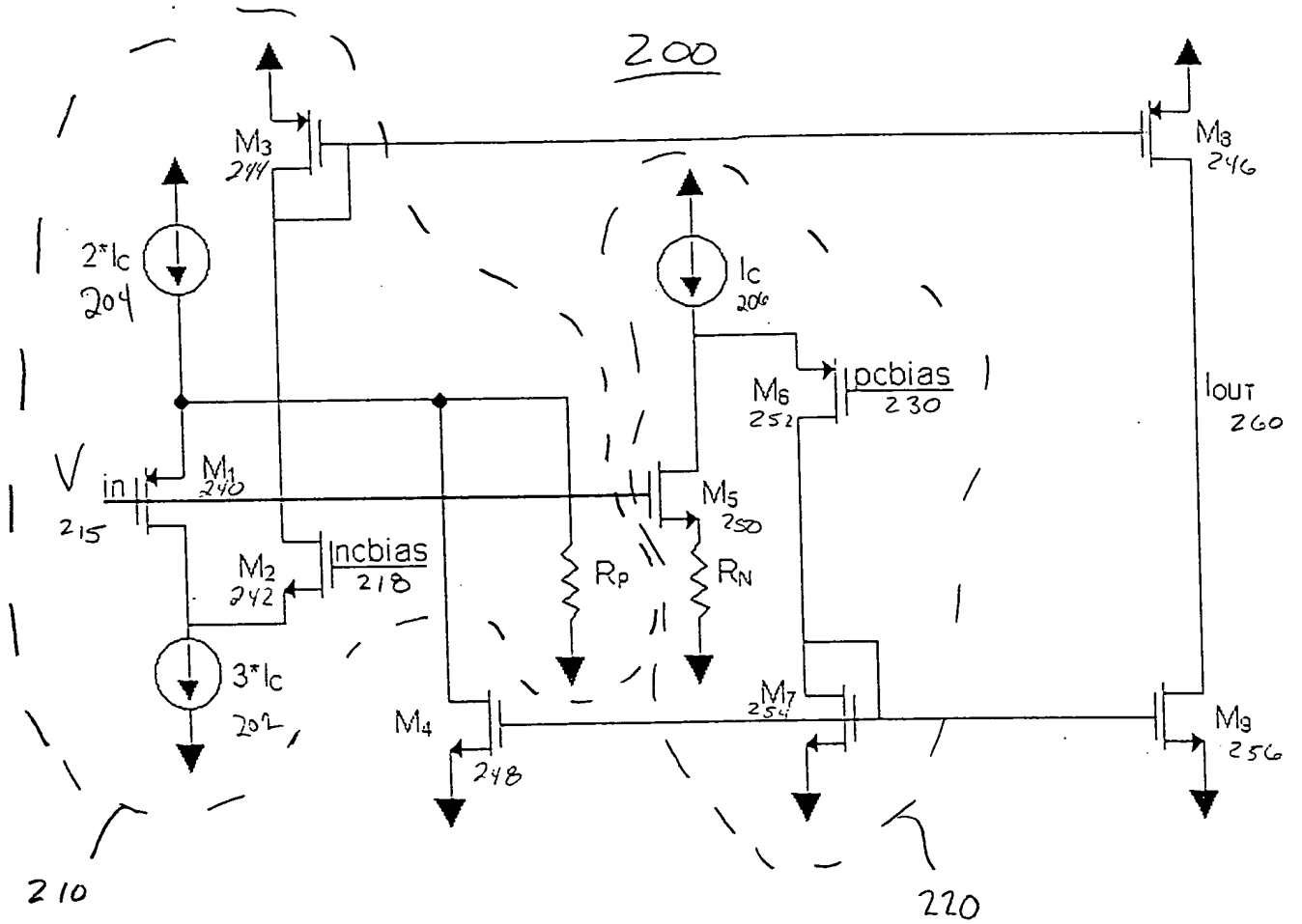


FIG. 2

300

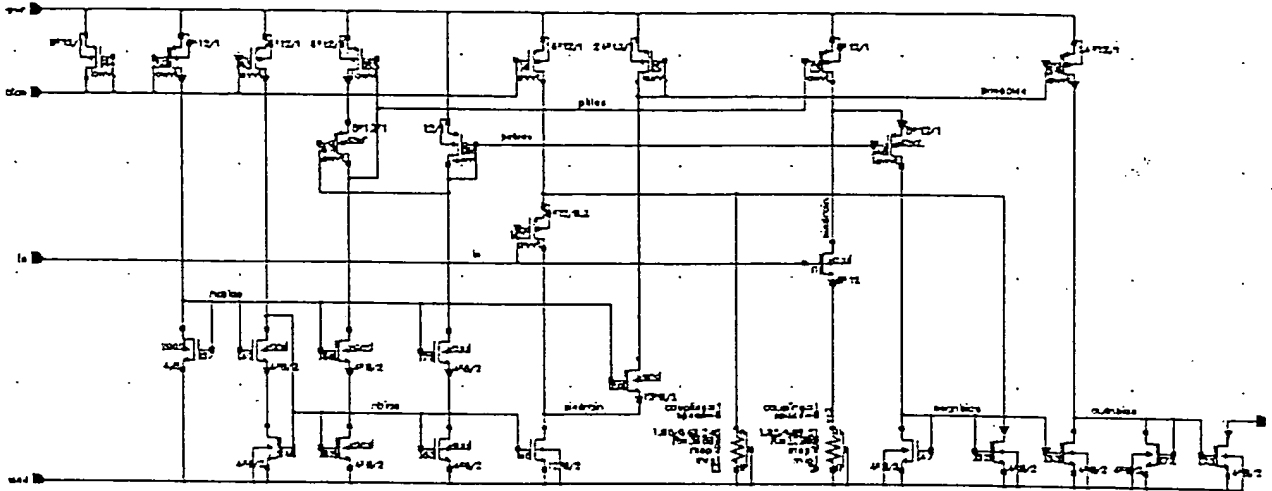


Figure 3

400

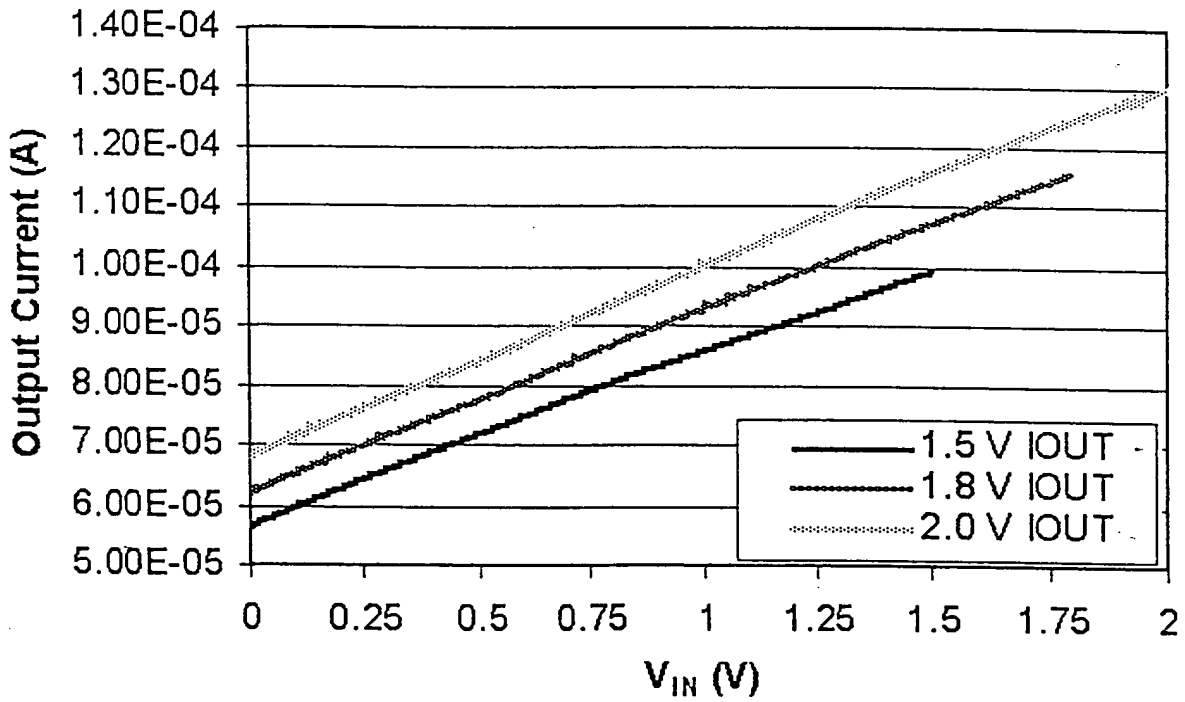


Figure 4